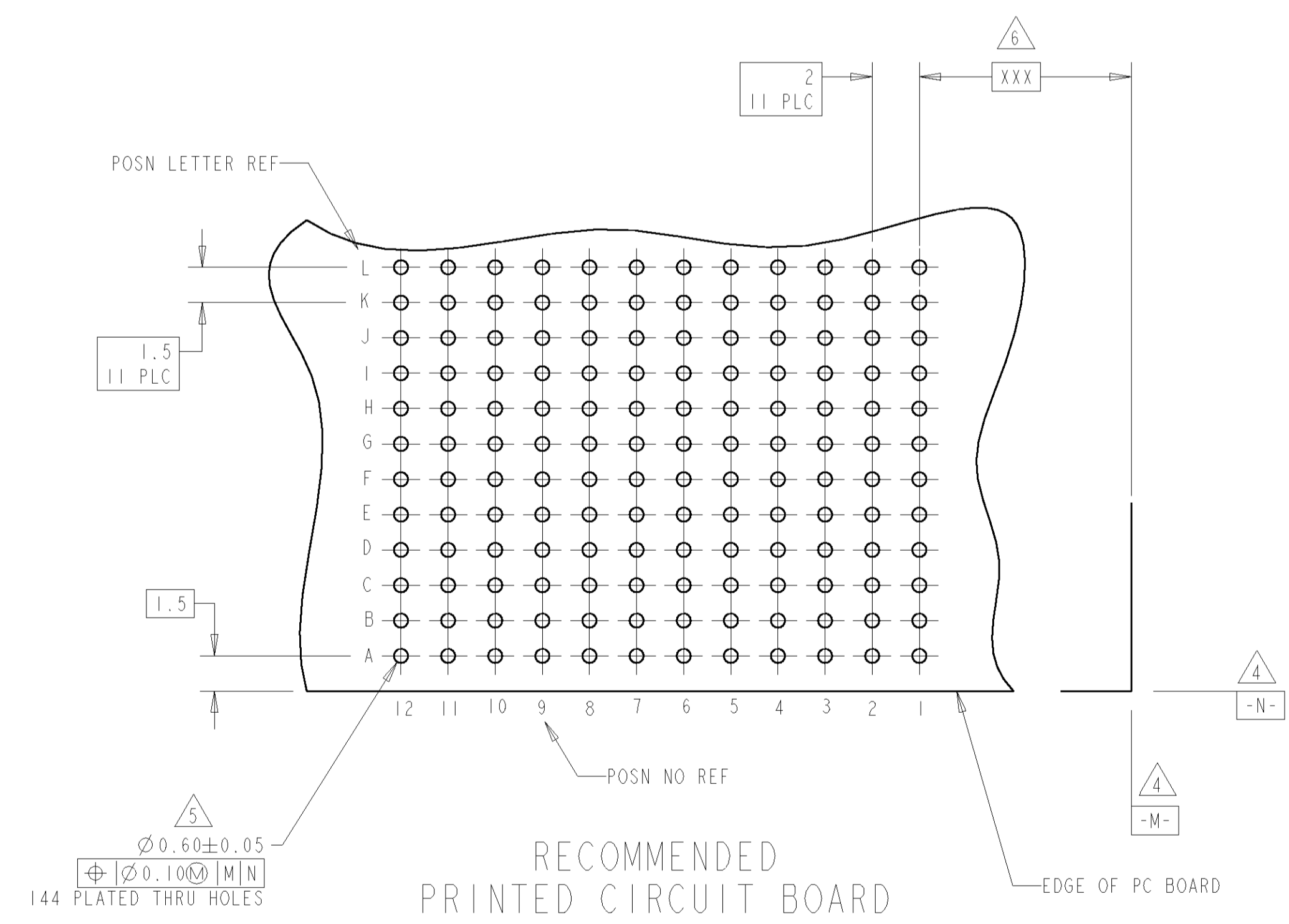
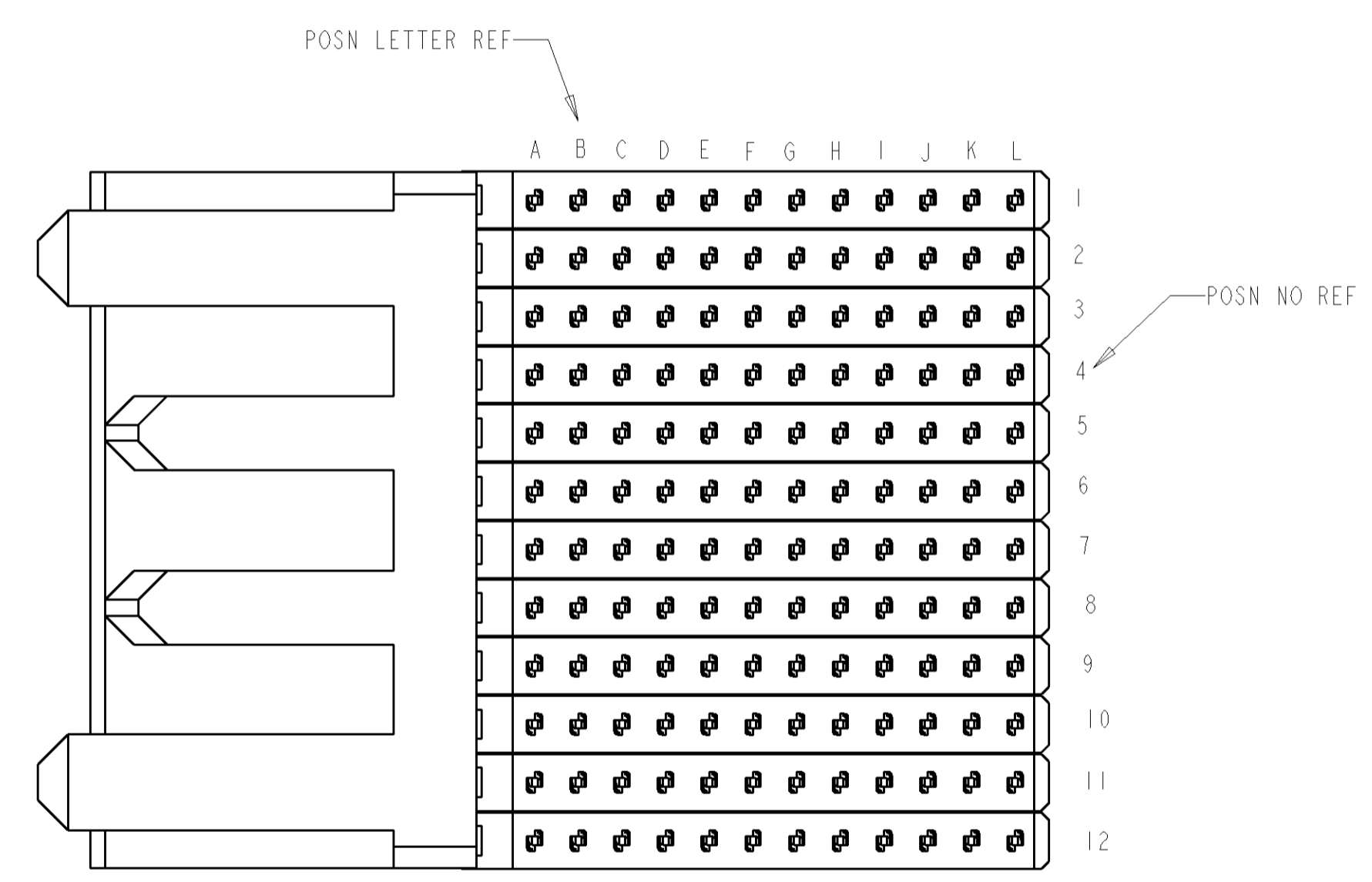
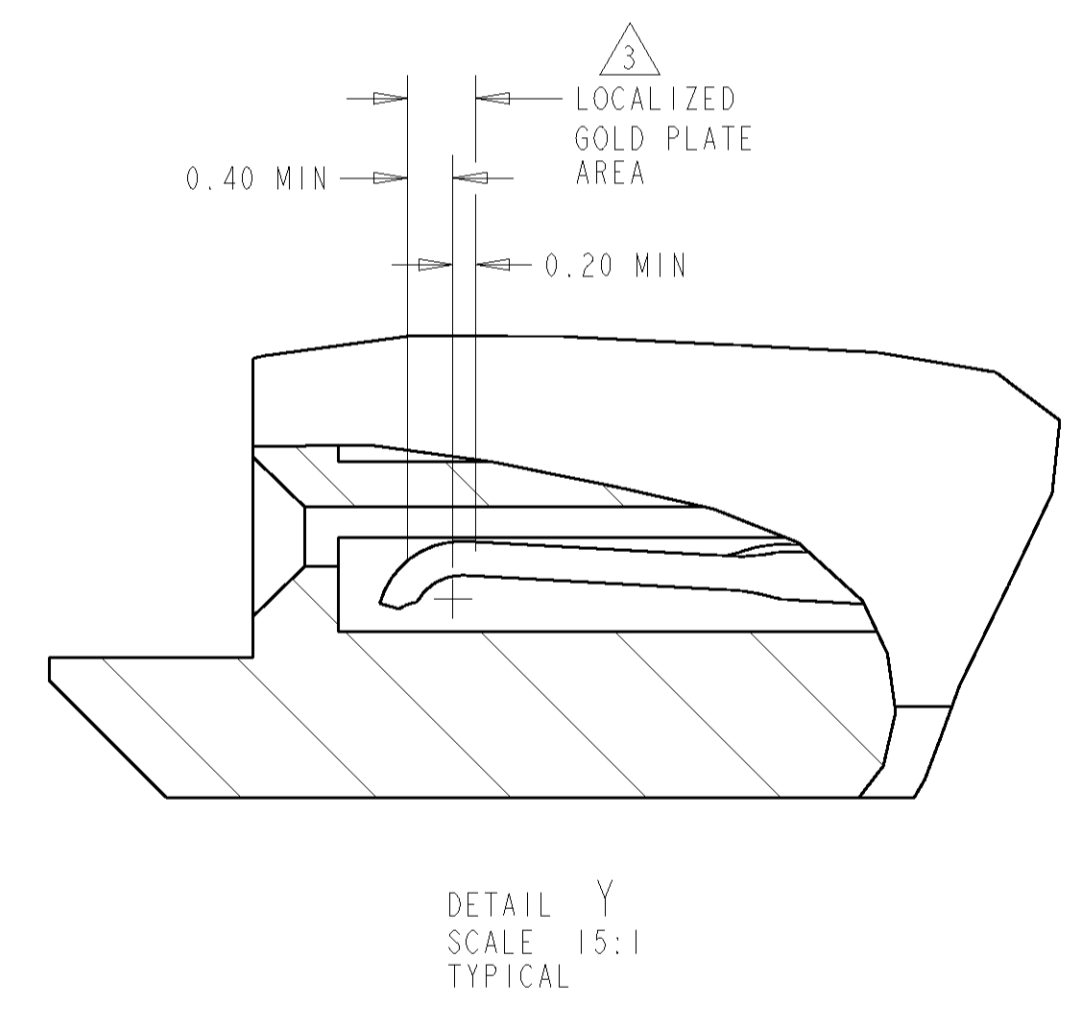
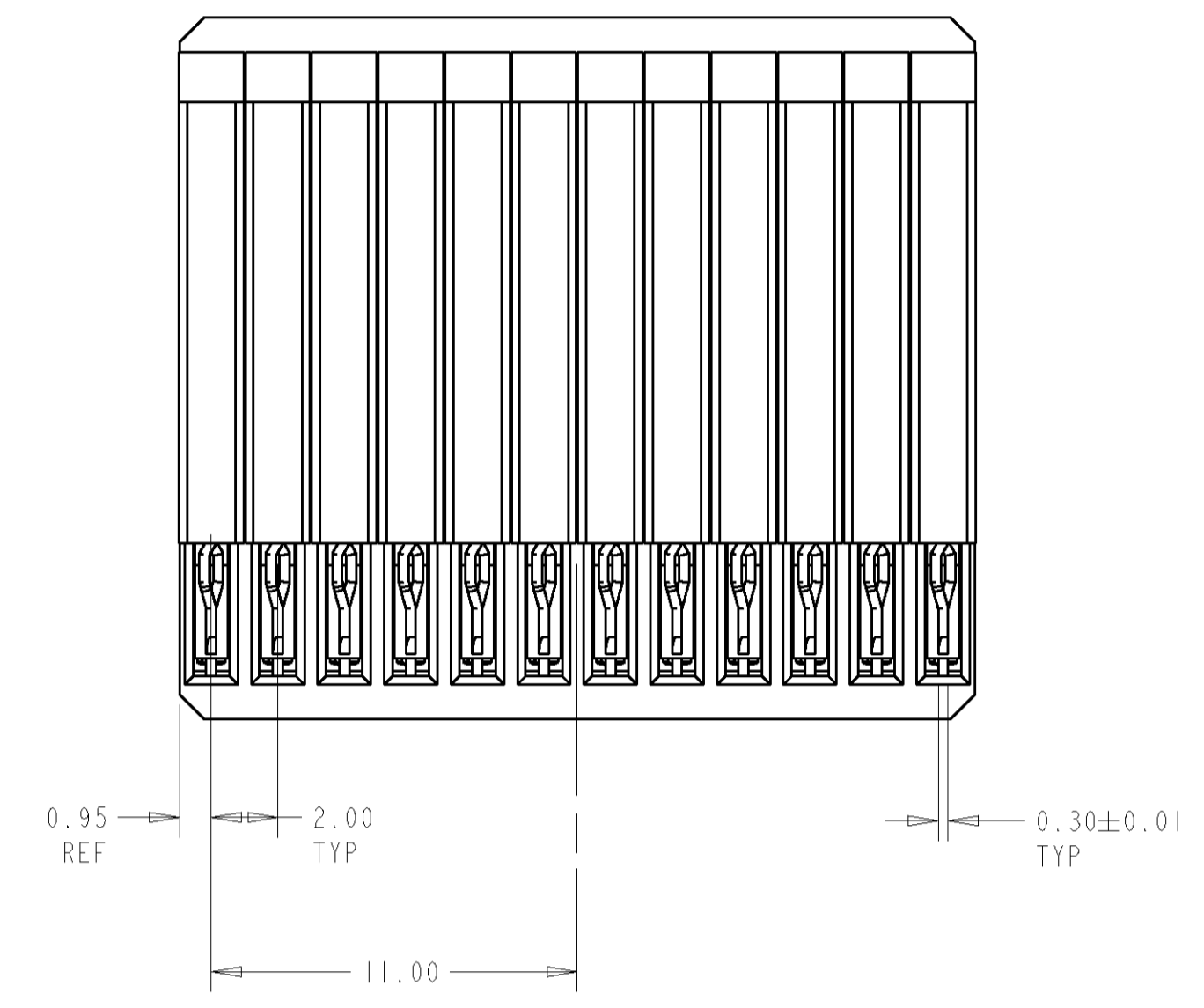
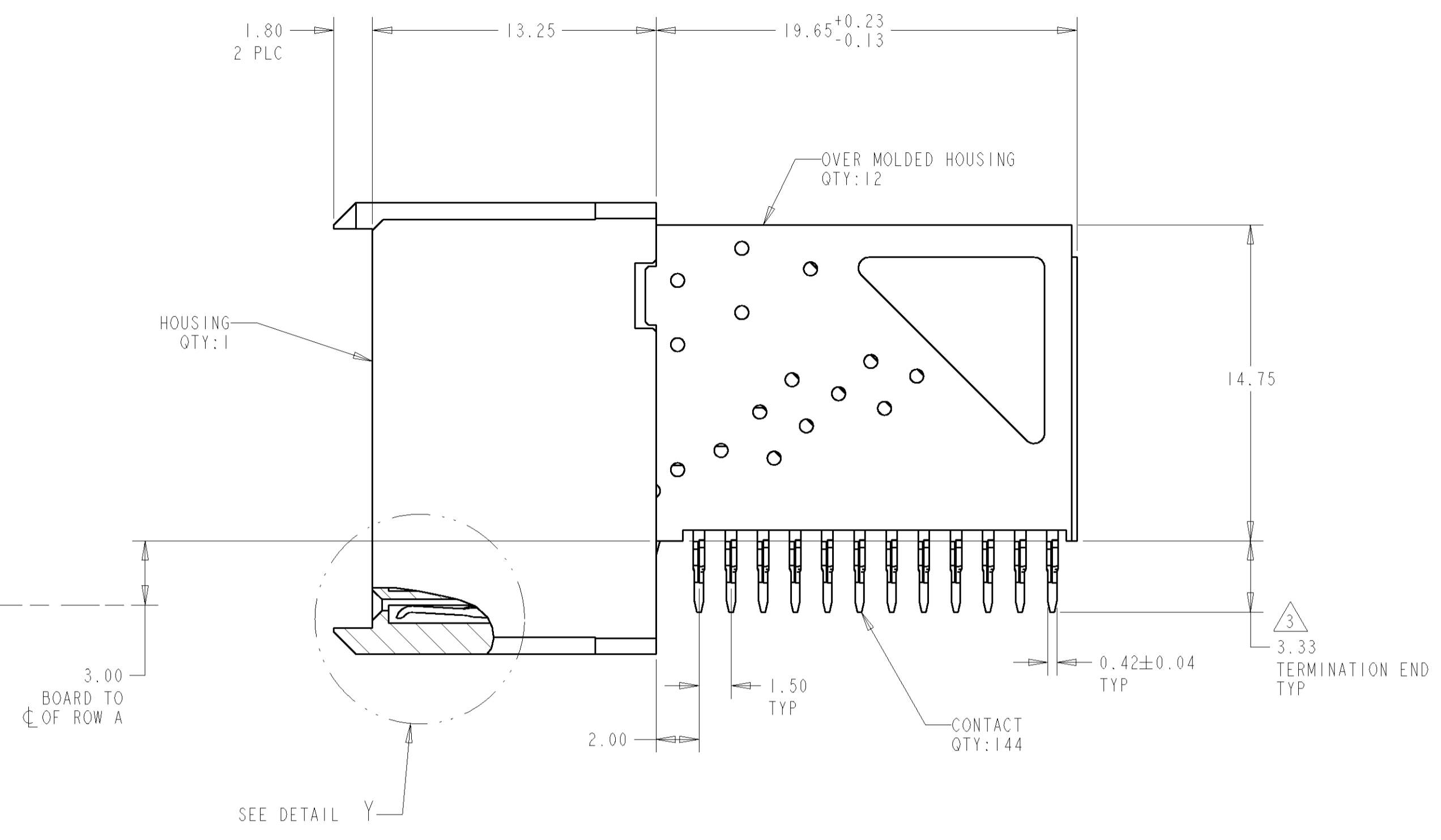
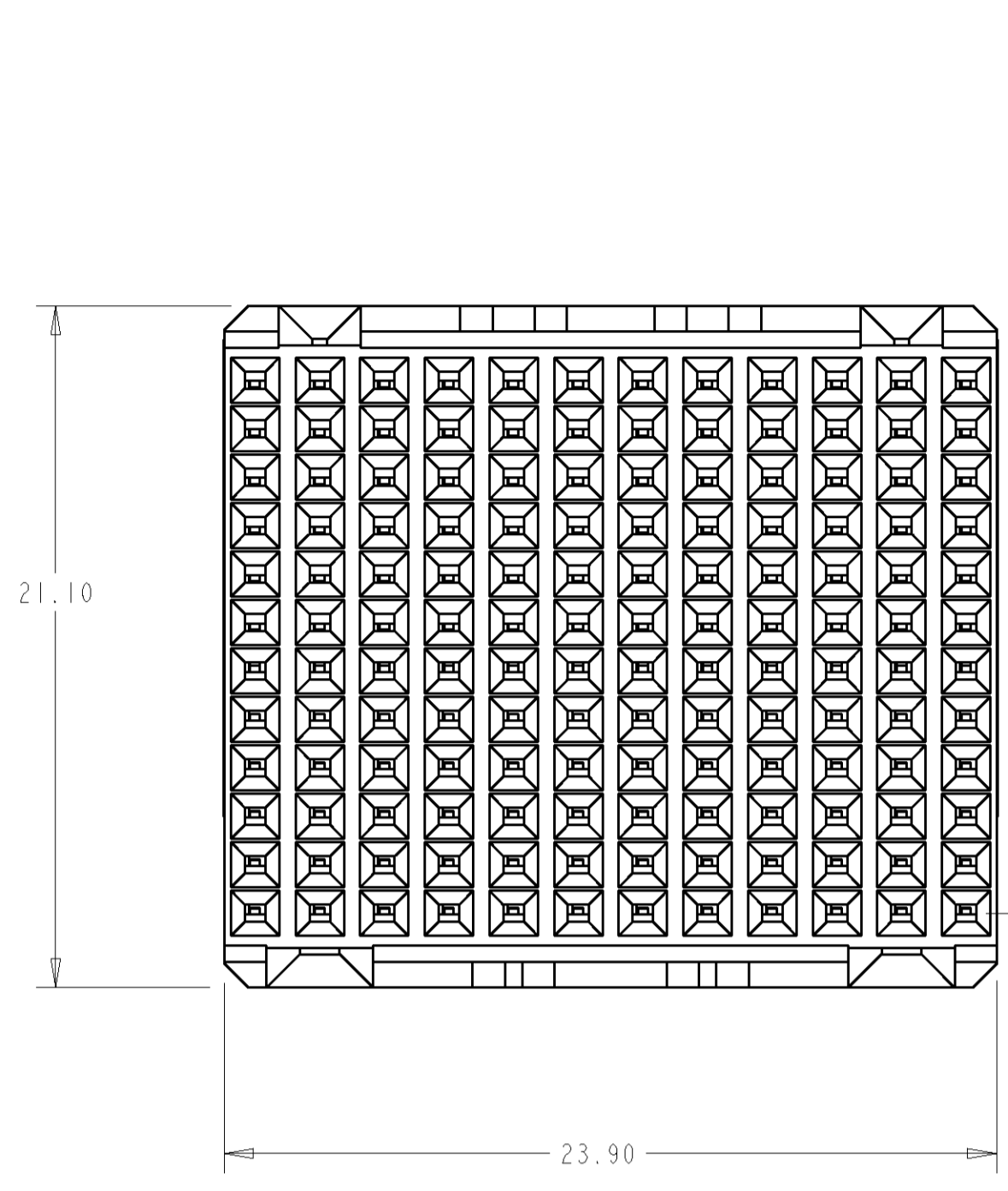


LOC		DIST		REVISIONS			
AD	00	P	LTR	DESCRIPTION	DATE	DWN	APVD
		A		REV PER EC 0512-0302-05	05DEC05	BC	GS



- ① GLASS FILLED POLYESTER, BLACK
- ② PHOSPHOR BRONZE
- ③ GENERAL PLATING SPECIFICATION: UNDERPLATING (ENTIRE CONTACT): 1.27µm MIN NICKEL AND ACTION FIN: 0.5µm MIN TINLEAD. FOR PLATING OF MATING SURFACES SEE APPLICABLE SPECIFICATION REFERENCE FOR EACH DASH NUMBER.
- ④ DATUMS ESTABLISHED BY CUSTOMER.
- ⑤ DRILLED HOLE DIAMETER 0.700±0.025
COPPER THK 0.025-0.05
TIN LEAD THICKNESS 0.004-0.01
- ⑥ DIMENSION ESTABLISHED BY CUSTOMER.
- ⑦ CONFORMS TO ALL TESTING ACCORDING TO IEC 61076-4-101 PERFORMANCE LEVEL 2.

DIMENSIONS:		TOLERANCES UNLESS OTHERWISE SPECIFIED:		DWN: H MOLL 27 JUL 98		tyco Tyco Electronics	
mm	0 PLC ±	1 PLC ±	2 PLC ±0.13	3 PLC ±	4 PLC ±	APVD: J HUSS 06 AUG 98	Tyco Electronics Harrisburg, PA 17105-3608
	ANGLES ±			PRODUCT SPEC		RECEPTACLE ASSEMBLY, 144 POSITION, 12 ROW, Z-PACK HM	
MATERIAL:	HOUSING: ①	CONTACTS: ②	CONTACTS: ③ ⑦	FINISH	WEIGHT	SIZE: A1 00779	RESTRICTED TO: -
	CUSTOMER DRAWING		SCALE: 5:1		DRAWING NO: C=120637		SHEET 1 OF 1 REV A

120637-1
PART NUMBER